



# New Zealand Football

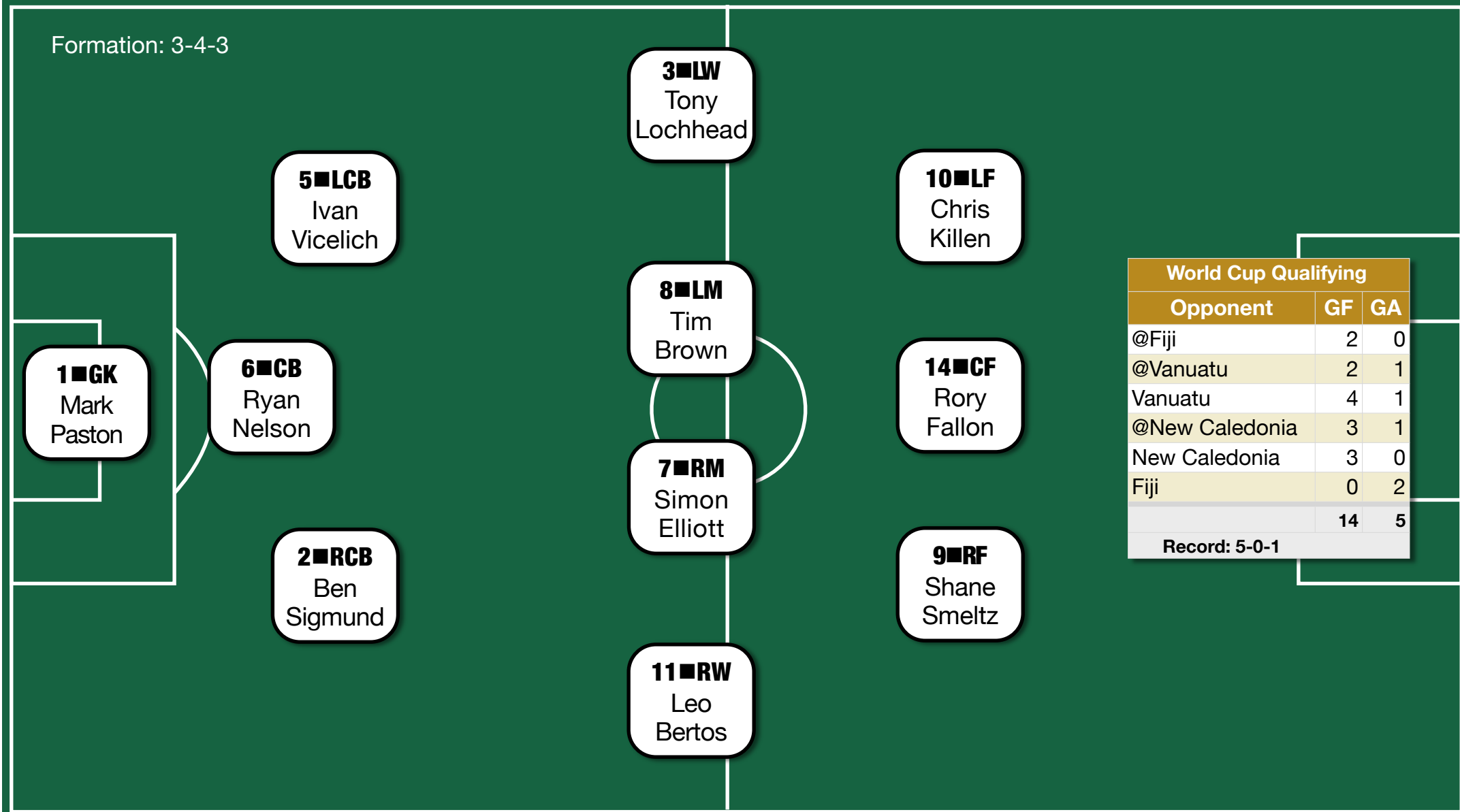
**Region:** Oceania Football Confederation (OFC)

**World Cup appearances:** 1 (1982)

**Best World Cup finish:** First Round **Current FIFA Ranking:** 78th

**Continental titles:** OFC Nations Cup (1973, '98, 2002, '08)

**Country's population:** 4,252,277 **GDP (per inhabitant):** \$27,300 **Life expectancy:** 80.48



| Group F     | Pts | W | D | L | GF | GA |
|-------------|-----|---|---|---|----|----|
| Italy       |     |   |   |   |    |    |
| Paraguay    |     |   |   |   |    |    |
| Slovakia    |     |   |   |   |    |    |
| New Zealand |     |   |   |   |    |    |

| Name               | Pos | No. | Club (league)                 | Caps | G  |
|--------------------|-----|-----|-------------------------------|------|----|
| Mark Paston        | G   | 1   | Wellington Phoenix (N.Z.)     | 23   | 0  |
| Glen Moss          | G   | 12  | Melbourne Victory (Austral)   | 15   | 0  |
| James Bannatyne    | G   | 23  | Team Wellington (N.Z.)        | 3    | 0  |
| Name               | Pos | No. | Club (league)                 | Caps | G  |
| Ben Sigmund        | D   | 2   | Wellington Phoenix (N.Z.)     | 14   | 1  |
| Tony Lochhead      | D   | 3   | Wellington Phoenix (N.Z.)     | 30   | 0  |
| Winston Reid       | D   | 4   | FC Midtjylland (Denmark)      | 3    | 0  |
| Ivan Vicelich      | D   | 5   | Auckland City (N.Z.)          | 66   | 6  |
| Ryan Nelson        | D   | 6   | Blackburn (England)           | 41   | 6  |
| Andrew Boyens      | D   | 18  | New York Red Bulls (U.S.)     | 15   | 0  |
| Tommy Smith        | D   | 19  | Ipswich Town (England)        | 4    | 0  |
| Simon Elliott      | M   | 7   | None                          | 63   | 6  |
| Tim Brown          | M   | 8   | Wellington Phoenix (N.Z.)     | 25   | 0  |
| Leo Bertos         | M   | 11  | Wellington Phoenix (N.Z.)     | 34   | 0  |
| Andy Barron        | M   | 13  | Team Wellington (N.Z.)        | 11   | 1  |
| Michael McGlinchey | M   | 15  | Motherwell FC (Scotland)      | 5    | 0  |
| Aaron Clapham      | M   | 16  | Canterbury United (N.Z.)      | 0    | 0  |
| David Mulligan     | M   | 17  | None                          | 25   | 3  |
| Jeremy Christie    | M   | 21  | FC Tampa Bay (U.S.)           | 22   | 1  |
| Jeremy Brockie     | M   | 22  | Newcastle Jets (Australia)    | 18   | 0  |
| Shane Smeltz       | F   | 9   | Gold Coast United (Australia) | 30   | 16 |
| Chris Killen       | F   | 10  | Middlesbrough (England)       | 31   | 11 |
| Rory Fallon        | F   | 14  | Plymouth Argyle (England)     | 7    | 3  |
| Chris Wood         | F   | 20  | West Bromwich Albion (Eng.)   | 9    | 0  |

## TEAM NOTES

### Top players:

**Ryan Nelson's** the All White's one possibly world-class player, and New Zealand will leverage him by playing a three man defense with him in the middle. **Rory Fallon** made his New Zealand last year after playing for England at youth levels. His goal against Bahrain put the Kiwis into the World Cup. **Shane Smeltz**, on the other hand, has been playing for New Zealand since 2003 and scored the only goal in the All White's 1-0 win over Serbia at the end of May.

### Keys to success:

New Zealand's not going to get by on their talent. The All Whites will have to out-work their opponents to have a chance, and even then a lot will have to happen to give the Kiwis a chance. But first, they have to show themselves more willing than their more talented opponents.

### Outlook:

New Zealand has already won in getting to the World Cup. If they can get a draw they can hold their heads high, because they are in a group with three very good teams.